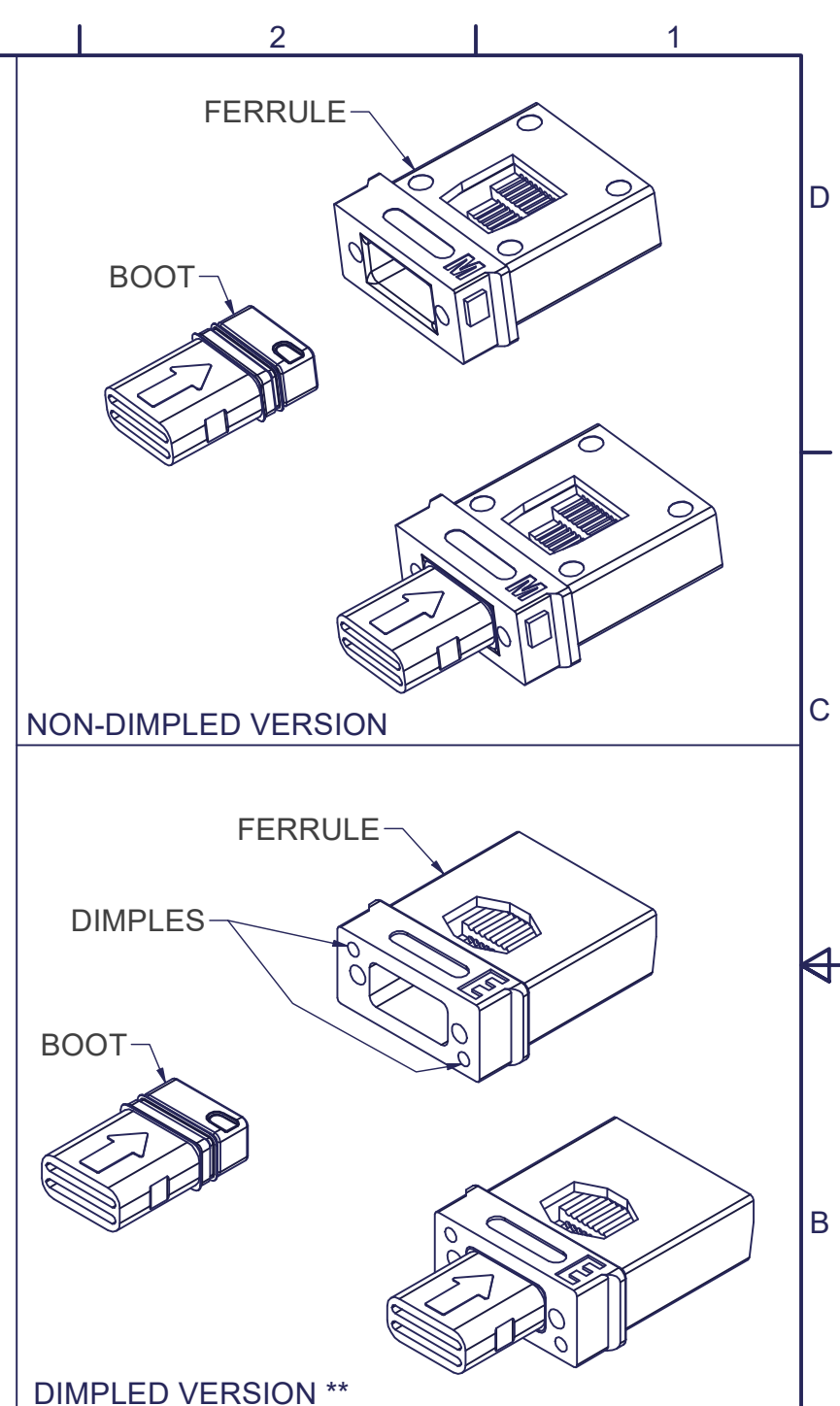


TRANSMISSION TYPE	GRADE	KIT P/N	KIT DESCRIPTION	FERRULE P/N	BOOT P/N
SINGLE-MODE	SUPER SM MT Elite®	19809	** 12 Fiber Super SM MT Elite® ferrule, PPS, Pre-Angled, w/boot	19808	200002-01
	SM MT Elite®	17618	** 4+4 SM MT Elite®, Pre-Angled, w/boot	16520	18760
		12535	8 Fiber SM MT Elite® ferrule, PPS, GB, w/boot	12440	16880
		16339	8 Fiber SM MT Elite® ferrule, PPS, Pre-Angled, w/boot	16338	16880
		17187	** 12 Fiber SM MT Elite® ferrule, PPS, Pre-Angled, w/boot	17186	200002-01
		18732	16 Fiber (1x16) Fiber SM MT Elite® ferrule, PPS, Pre-Angled, w/boot	17633	23684
		18182	** 24 Fiber (2x12) SM MT Elite® ferrule, PPS, Pre-Angled, 10N, w/boot	18181	21979
		18184	** 24 Fiber (2x12) SM MT Elite® ferrule, PPS, Pre-Angled, 20N, w/boot	18183	21979
	STANDARD SM	MTFA-4SM5-02	4 Fiber SM MT ferrule, PPS, w/boot	MTFA-4SM5-02-NBC	16879
		15778	8 Fiber SM MT ferrule, PPS, Pre-Angled, w/boot	15777	16880
		13642	12 Fiber SM MT ferrule, PPS, Pre-Angled, w/boot	13641	200002-01
		18731	16 Fiber (1x16) SM MT ferrule, PPS, Pre-Angled, 20N, w/boot	18431	23684
		12678	24 Fiber (2x12) SM MT ferrule, PPS, Pre-Angled, 10N, w/boot	12677	21979
		17181	24 Fiber (2x12) SM MT ferrule, PPS, Pre-Angled, 20N, w/boot	16843	21979
18733		32 Fiber (2x16) Fiber SM MT ferrule, PPS, Pre-Angled, w/boot	18432	23629	
MULTI-MODE	MM MT Elite®	17617	** 4+4 MM MT Elite®, w/boot	16519	18760
		17185	** 12 Fiber MM MT Elite® ferrule, PPS, w/boot	17184	200002-01
		24904	** 12 Fiber MM MT Elite® ferrule, PPS, Pre-Angled, w/boot	24712	200002-01
		16504	16 Fiber (1x16) Fiber MM MT Elite® ferrule, PPS, w/boot	15905	23684
		22008	16 Fiber (1x16) Fiber MM MT Elite® ferrule, PPS, APC, Y-offset, w/boot	21877	23684
		13993	16 Fiber (2x8) Fiber MM MT Elite® ferrule, PPS, w/boot	13226	16360
		18007	** 24 Fiber (2x12) MM MT Elite® ferrule, PPS, w/boot	17794	21979
		16505	32 Fiber (2x16) MM MT Elite®, PPS, w/boot	15446	23629
	STANDARD MM	MTF-4MM7-02	4 Fiber MM MT ferrule, PPS, w/boot	MTF-4MM7-02-NBC	16879
		MTF-8MM7-02	8 Fiber MM MT ferrule, PPS, w/boot	MTF-8MM7-02-NBC	16880
		MTF-12MM7-02	12 Fiber MM MT ferrule, PPS, w/boot	MTF-12MM7-02-NBC	200002-01
		18210	16 Fiber (1x16) MM MT ferrule, PPS, w/boot	18209	23684
		7413	24 Fiber (2x12) MM MT ferrule, PPS, w/boot	7412	21979
		17948	32 Fiber (2x16) MM MT ferrule, PPS, w/boot	17943	23629
		12599	48 (4x12) Fiber MM MT ferrule, PPS, w/boot	12405	16361
		N/A	72 Fiber (6x12) MM MT ferrule, PPS, w/o boot	9730	N/A



NOTE:
1. **FERRULES ARE COMPATIBLE WITH BOTH MTP® AND MTP® PRO CONNECTORS.

USCONEC LTD. PROPRIETARY THIS DOCUMENT AND THE ASSOCIATED DATA CONTAIN RESTRICTED INFORMATION THAT IS USCONEC LTD. PROPERTY. DISCLOSE OR DUPLICATE FOR OTHERS ONLY AS AUTHORIZED BY USCONEC LTD.			
Material:		N/A	
REV.	DATE	DESCRIPTION	ECN
U	6/9/20	RELEASE	2256-rr
V1	1/5/21	BOOT P/N 21979 was 16359	2316-mm
V	2/1/21	RELEASE	
W	12/16/22	ADDED KITS 18733 & 16339	2534-mm
X	3/20/23	ADDED KIT 18732 TO TABLE	
Y	6/22/23	FERRULE BOOT 23684 was 15906 IN KITS 18731, 16504, 22008 & 18210; FERRULE BOOT 23629 was 15449 IN 2X16 FERRULE KITS	2545-mm
Z	10/18/24	ADDED KIT 24904	2627-rr

CUSTOMER DRAWING

DIMENSIONS FOR REFERENCE ONLY

THIRD ANGLE PROJECTION

METRIC/mm

USCONEC

Hickory, NC
800-769-0944
www.usconec.com

TITLE
KITS, FERRULE & BOOT

SIZE **B** S&M Part No.: SEE TABLE DWG NO. **C7593** REV **Z**

SCALE N.T.S. Drafter **M. YOUNT** Date: **12/9/2004** SHEET **1** OF **1**

▲ DENOTES CRITICAL DIMENSION